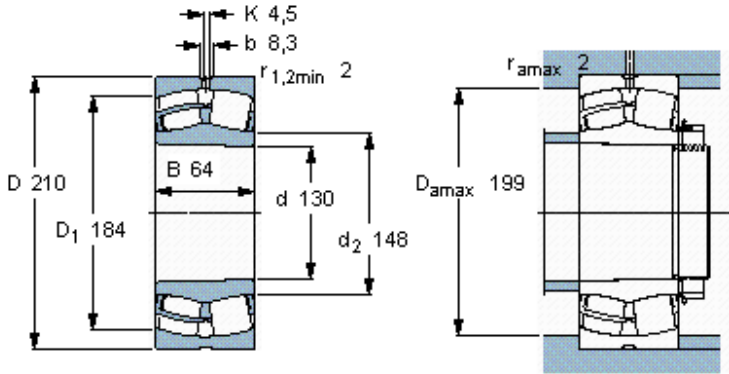


Spherical roller bearings, cylindrical and tapered bore

Principal dimensions			Basic load ratings		Speed ratings	Limiting speed	Designation
d	D	B	dynamic C	static C0	Reference speed		* SKF Explorer bearing
mm			kN		r/min		-
130	210	64	586	780	2400	3200	23126 CCK/W33 *



Tapered bore, taper
1: 12

Calculation factors

- e 0,28
- Y₁ 2,4
- Y₂ 3,6
- Y₀ 2,5